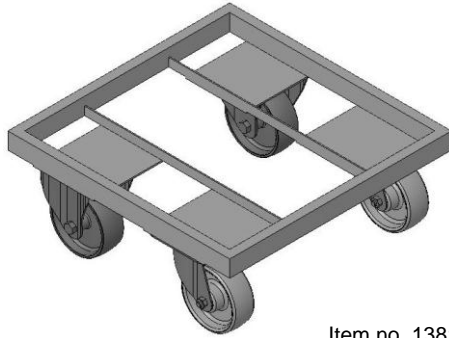


TROLLEYS



Item no. 138151-Sxxxx

Trolleys

BOF I 400 x 400 mm

for KLT
max. 250 kg

For indoor transport of a stack of boxes

Various wheel qualities (PP, rubber coated or ESD)

Suitable for transport pallets (see chapter LOGISTICS TRG)

Standard size 400 x 400 mm

Optional products can be found in chapter ACCESSORIES

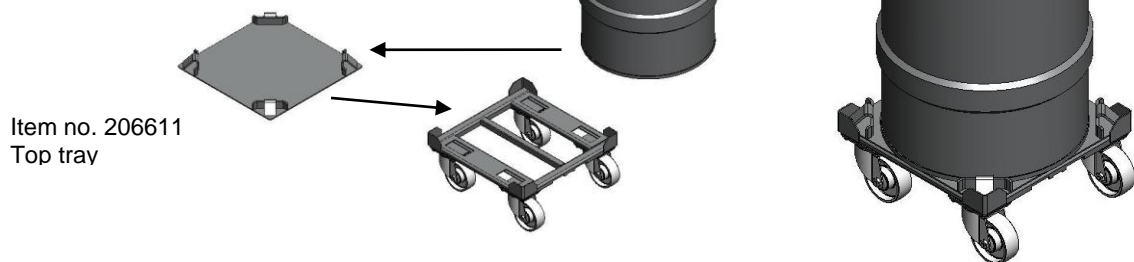
Item no.	Product to be carried	Size of trolley and load	Centering of product	Wheels	Wheel design
138151-S0001 138151-S0002	KLT 400 x 400 mm KLT 400 x 400 mm	400 x 400 mm 400 x 400 mm max. 250 kg	on inside edge of frame	PA ESD Hard plastic all Ø 100 mm	2 swivel and 2 fixed castors

Top tray

206611 - xxxx	Drums (diameter customized)	max. 250kg	Corner angle		
---------------	-----------------------------	------------	--------------	--	--

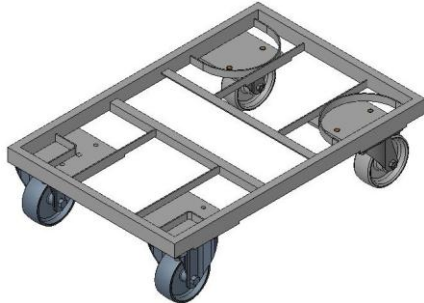
Top tray for transporting drums

Top tray will be customized regarding to the diameter of the drums.

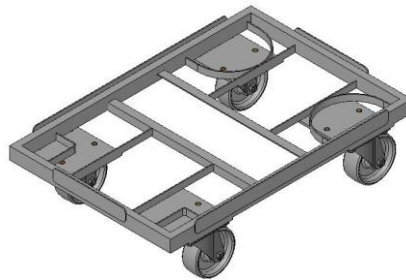


Other models / dimensions on request.

TROLLEYS



Item no. 137786-NP001
Centering inside edge of frame



Item no. 137786-NP0E1
Centering with corner angle

Trolleys

BOF II 600 x 400 mm

for KLT
max. 250 kg

For indoor transport of a stack of boxes

Various wheel qualities (PP, rubber or PU-coated, ESD)

Suitable for transport pallets (see chapter LOGISTICS TRG)

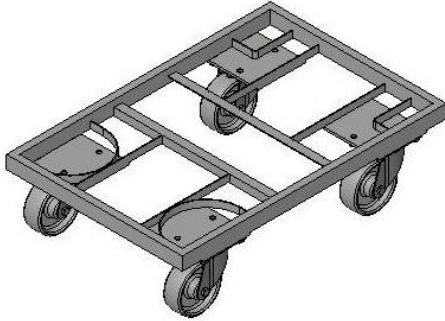
Standard size 600 x 400 mm

Optional products can be found in chapter ACCESSORIES

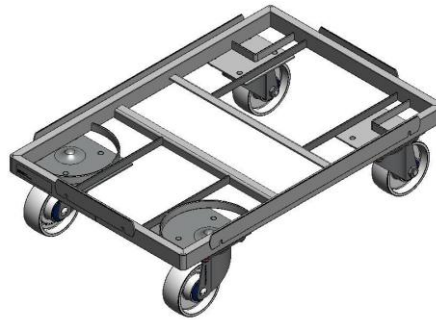
Item no.	Product to be carried	Size of trolley and load	Centering of product	Wheels	Wheel design
137786-NP001 137786-NE002 137786-NG003 137786-NK004	KLT 600 x 400 mm KLT 600 x 400 mm KLT 600 x 400 mm KLT 600 x 400 mm	600 x 400 mm 600 x 400 mm 600 x 400 mm 600 x 400 mm max. 250 kg	on inside edge of frame	PA ESD Hard plastic rubber 2x rubber / 2x PA all Ø 100 mm	2 swivel and 2 fixed castors
137786-NP0E1 137786-NE0E1 137786-NG0E3 137786-NK0E4	KLT 600 x 400 mm KLT 600 x 400 mm KLT 600 x 400 mm KLT 600 x 400 mm	604 x 404 mm 604 x 404 mm 604 x 404 mm 604 x 404 mm max. 250 kg	corner angle	PA ESD Hard plastic rubber 2x rubber / 2x PA all Ø 100 mm	2 swivel and 2 fixed castors

Other models / dimensions on request.

TROLLEYS



Item no. 137787-NP001
Centering inside edge of frame



Item no. 137787-NP0E1
Centering with corner angle

Trolleys

BOF III 600 x 400 mm

for KLT
max. 250 kg

For indoor transport of a stack of boxes

Various wheel qualities (PP, rubber or PU-coated, ESD)

Suitable for transport pallets (see chapter LOGISTICS TRG)

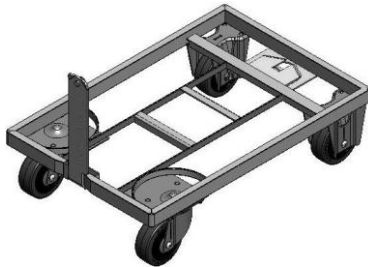
Standard size 600 x 400 mm

Optional products can be found in chapter ACCESSORIES

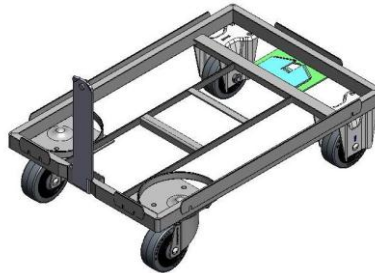
Item no.	Product to be carried	Size of trolley and load	Centering of product	Wheels	Wheel design
137787-NP001 137787-NE002 137787-NG003 137787-NK004	KLT 600 x 400 mm KLT 600 x 400 mm KLT 600 x 400 mm KLT 600 x 400 mm	600 x 400 mm 600 x 400 mm 600 x 400 mm 600 x 400 mm max. 250 kg	on inside edge of frame	PA ESD Hard plastic rubber 2x rubber / 2x PA all Ø 100 mm	4 swivel castors
137787-NP0E1 137787-NE0E2 137787-NG0E3 137787-NK0E4	KLT 600 x 400 mm KLT 600 x 400 mm KLT 600 x 400 mm KLT 600 x 400 mm	604 x 404 mm 604 x 404 mm 604 x 404 mm 604 x 404 mm max. 250 kg	Corner angle	PA ESD Hard plastic rubber 2x rubber / 2x PA all Ø 100 mm	4 swivel castors

Other models / dimensions on request.

TROLLEYS



Item no. 137786-Sxxxx
Centering inside edge of frame



Item no. 137786-Sxxxx
Centering with lateral stop bars

Trolleys BOF IV 600 x 400 mm for KLT max. 250 kg

For indoor transport of a stack of boxes

Various wheel qualities (PP, rubber or PU-coated, ESD)

Suitable for transport pallets (see chapter LOGISTICS TRG)

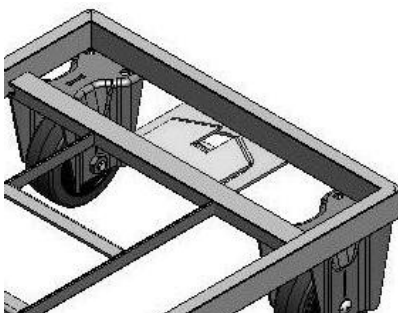
Standard size 600 x 400 mm

Optional products can be found in chapter ACCESSORIES

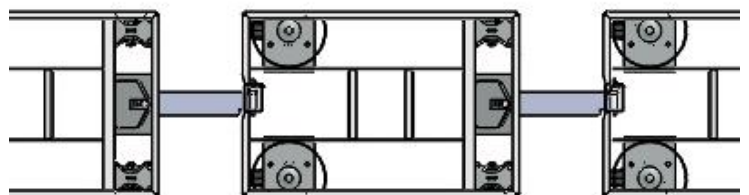
With rigid drawbar

Item no.	Product to be carried	Size of trolley and load	Centering of product	Wheels	Wheel design
137786-S0001 137786-S0002 137786-S0003 137786-S0004	KLT 600 x 400 mm KLT 600 x 400 mm KLT 600 x 400 mm KLT 600 x 400 mm	600 x 400 mm 600 x 400 mm 600 x 400 mm 600 x 400 mm max. 250 kg	with rigid drawbar on inside edge of frame	PA ESD Hard plastic rubber 2x rubber / 2x PA all Ø 100 mm	2 swivel and 2 fixed castors
137786-S0005 137786-S0006 137786-S0007 137786-S0008	KLT 600 x 400 mm KLT 600 x 400 mm KLT 600 x 400 mm KLT 600 x 400 mm	600 x 400 mm 600 x 400 mm 600 x 400 mm 600 x 400 mm max. 250 kg	with rigid drawbar lateral stop bars	PA ESD Hard plastic rubber 2x rubber / 2x PA all Ø 100 mm	2 swivel and 2 fixed castors

Other models / dimensions on request.



Rigid drawbar system

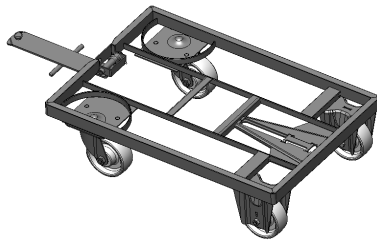


TROLLEYS

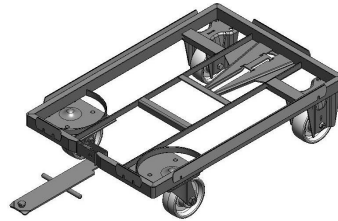
Trolleys

BOF V 600 x 400 mm

for KLT
max. 250 kg



Item no. 144183-Sxxxx
Centering inside edge of frame



Item no. 144183-Sxxxx
Centering with lateral stop bars

For indoor transport of a stack of boxes

Various wheel qualities (PP, rubber or PU-coated, ESD)

Suitable for transport pallets (see chapter LOGISTICS TRG)

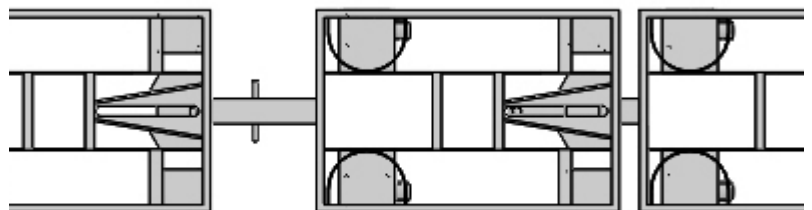
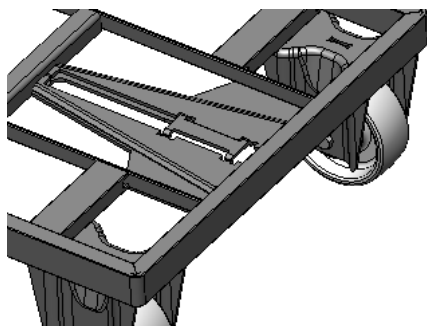
Standard size 600 x 400 mm

Optional products can be found in chapter ACCESSORIES

Drawbar with "concertina effect"

Item no.	Product to be carried	Size of trolley and load	Centering of product	Wheels	Wheel design
144183-S0001 144183-S0002 144183-S0003 144183-S0004	KLT 600 x 400 mm KLT 600 x 400 mm KLT 600 x 400 mm KLT 600 x 400 mm	600 x 400 mm 600 x 400 mm 600 x 400 mm 600 x 400 mm max. 250 kg	Drawbar with "concertina effect" on inside edge of frame	PA ESD Hard plastic rubber 2x rubber / 2x PA all Ø 100 mm	2 swivel and 2 fixed castors
144183-S0005 144183-S0006 144183-S0007 144183-S0008	KLT 600 x 400 mm KLT 600 x 400 mm KLT 600 x 400 mm KLT 600 x 400 mm	600 x 400 mm 600 x 400 mm 600 x 400 mm 600 x 400 mm max. 250 kg	Drawbar with "concertina effect" lateral stop bars	PA ESD Hard plastic rubber 2x rubber / 2x PA all Ø 100 mm	2 swivel and 2 fixed castors

Other models / dimensions on request.



"Concertina effect"